



Conveyor Toaster

Model TC21D3 & TC21D3-FEC (Front Extended Conveyor)



Electrical

Available in 208V or 240V, A/C, 1-phase only. Total rated input is 2.9 kW; and 2.7 kW for 230V CE toasters. A factory installed 6 ft (1.8 m) cord is included.

Heating

When control is set to "ON", top and bottom tubular elements will turn on to toast both sides of bread. Lightness and darkness of the product is achieved by adjusting the top and bottom heat controls. Standby position allows for energy savings during non-peak periods.

Controls

Rotary 3-position dial selects ON/OFF/STANDBY positions. A conveyor speed dial controls the belt speed. Heat dials control the upper and lower heating elements.

Accessories

Fiberglass return tray.
Angled loading rack (supplied with TC17D3)
Horizontal loading rack (optional)
Stainless steel tray (optional) fits both models as an exit tray. May also be used as a loading tray for TC17D3-FEC.

Warranty

Warranty includes one year parts and labor, on-site service. (U.S.A. only).

Ordering Information

ETL versions 208V or 240V, 1-phase, 50/60 Hz.
CE versions 230V, 1-phase, 50/60 Hz.

Application

TC21D3 Series Conveyor Toasters are designed to uniformly toast breads, buns, bagels, and muffins in large quantities, using continuous feed methods.

General Information

Product Height:

- Extra-Tall 3" (76 mm) high opening.

Conveyor Type:

- TC21D3 - Conveyor extends to the end of the toasting chamber.
- TC21D3-FEC - Conveyor extends 7" (178 mm) beyond the end of the toasting chamber. Available in front only.

Product Loading:

- TC21D3 is equipped with a loading rack that is angled to feed the product into the toaster continuously.
- TC21D3-FEC has a front

extended conveyor for easier loading of larger bakery products.

Product Delivery:

- Both models are capable of rear-exit pass through operation. They are shipped as front-return models, but can easily be converted to rear-exit operation by following the supplied instructions.

Safety

Unique air flow design keeps case, top, and sides cool. The unit is equipped with an auto cool down feature which allows the fan to cool the outer skin when the unit is turned off.

Construction

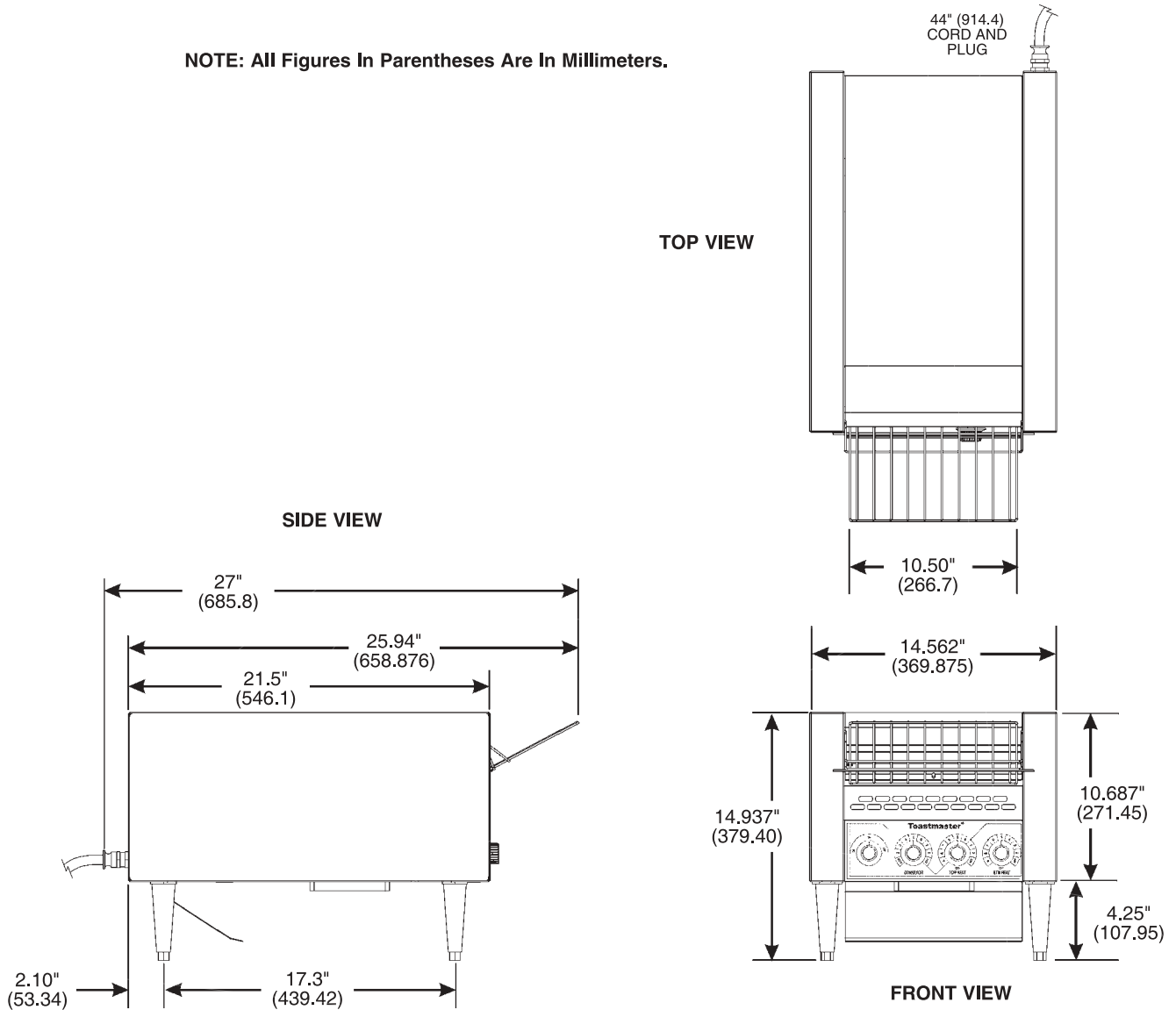
Steel construction with a stainless steel finish is used for durability. A stainless steel full-length, slide out crumb tray for easy clean-up. A fiberglass return tray is included.



Conveyor Toaster

Models TC21D3 & TC21D3-FEC (Front Extended Conveyor)

NOTE: All Figures In Parentheses Are In Millimeters.



GENERAL INFORMATION

Model	Width	Height	Depth	Net Weight	Ship Weight
TC21D	14.562" (369.875)	14.937" (379.4)	21.5" (686)	52 lbs. 23.6 kg	58 lbs 26.3 kg

ELECTRICAL INFORMATION

Model#	Voltage	Phase	Hz	kW	Amps	Plug Type
TC21D	208	1	50/60	2.9	13.9	NEMA 6-20P
TC21D	240	1	50/60	2.9	12.1	NEMA 6-20P
TC21D (CE Only)	230	1	50/60	2.7	11.7	Kabelmetal-type HO7RN-F cord; 3x1.5 mm conductors with molded on plug rated 250VAC, 16A.

INTENDED FOR COMMERCIAL USE ONLY. NOT FOR HOUSEHOLD USE.

Toastmaster, in line with its policy to continually improve its product, reserves the right to change materials or specifications without notice. Such revisions do not entitle the buyer to corresponding changes, improvements, additions, or replacements for previously purchased equipment.

