

Electric Clam Griddles



OE7211



OE7210

Opus 700 clam griddles cook food up to three times as quickly as a standard griddle. Double griddle plates heat both sides of the food simultaneously, delivering fast, even and repeatable results.

Steaks, burgers, chicken and other meat products are cooked quickly, sealing in juices, locking in flavour and reducing shrinkage. And with precise temperature and timing controls you can achieve perfection every time. With the Opus 700 Clam Griddle, consistently high quality is simple.

**NEW
PRODUCT**
MARCH 2013

OPUS 700

Features

- Precise thermostatic temperature control for consistent results and economical operation
- Independently controlled cooking zones for greater flexibility and economy during quieter periods
- Digital timer on each clam plate ensures repeatable results
- Large fat collection drawer means uninterrupted cooking
- Wide fat drainage hole for ease of operation and cleaning
- PTFE non-stick sheets on each clam plate
- 15mm stainless steel griddle plate for easy cleaning
- 12mm hard anodised aluminium clam plate provides even heat distribution
- Clam top automatically adjusts to suit the thickness of the food being cooked

Inclusive Accessories

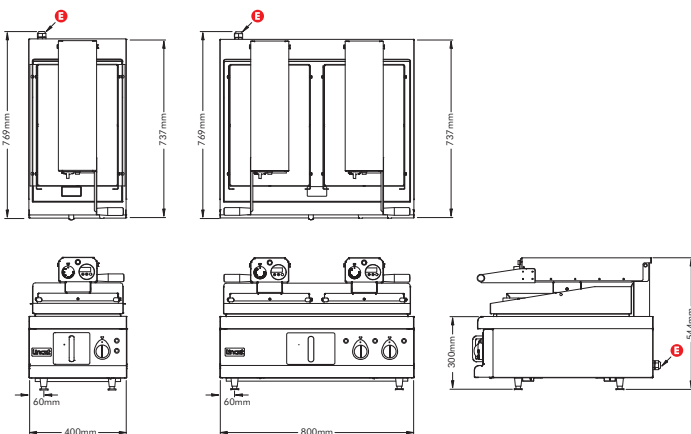
- Scraper
- PTFE non-stick sheets

Optional Accessories

- **OA7921** - Floor stand for OE7211
- **OA7956** - Floor stand for OE7210
- **TFS01** - PTFE non-stick sheet

Technical Specifications

Model	OE7210	OE7211
External Height (mm)	544	544
External Width (mm)	800	400
External Depth (mm)	737	737
Griddle plate cooking area - w x d (mm)	760 x 575	360 x 575
Clam plate cooking area - w x d (mm)	330 x 500	330 x 500
Net weight unpacked (kg)	145	73
Total electrical power rating (kW)	17.2	8.6
Electrical supply 3N~+E 400V 50-60Hz	L1 - 28.0	L1 - 10.8
Current rating (A)	L2 - 28.0	L2 - 21.6
	L3 - 18.0	L3 - 10.8
Cooking surface area (type)	Flat	Flat



You can choose Lincat products with confidence. All products in this leaflet are backed by the reassurance of a comprehensive UK two-year parts and labour warranty.

QUALITY GUARANTEED

A member company of THE MIDDLEBY CORPORATION



**Lincat Limited, Whisby Road,
Lincoln LN6 3QZ,
United Kingdom**

UK Sales Tel: 01522 875500 UK Spares Tel: 01522 875510 UK General Tel: 01522 875555
UK Fax: 01522 875530 International Sales Tel: +44 1522 503250 International Fax: +44 1522 875530
Website: www.lincat.co.uk UK Sales e-mail: sales@lincat.co.uk International Sales e-mail: export@lincat.co.uk