

# BroilVection™ MORE FLAVOR. LESS ENERGY.

**The JF62, with BroilVection™ technology, delivers superior products and saves up to 40%\* in energy costs.**

BroilVection™ is a patented new generation hybrid broiling technology, combining radiant broiling, natural convection and focused forced convection air to introduce a totally new concept in broilers.

## **The result?**

- **Delicious char-broiled flavor and color**
- **Energy savings**
- **Cuts operator cost**
- **Less kitchen heat**
- **No burner replacement**
- **Plug and play operation**



**Look what you could save every year!**

**Typically, \$2,600 in energy, burner and operating costs.**

***GREAT NEW LEASE TERMS! NOTHING DOWN AND NO PAYMENTS FOR 60 DAYS!***

***Call us today at 1-800-643-2656 for more information.***

\*Compared to Nieco model 624G.



7950 Cameron Drive, Windsor, CA 95492, USA  
1-707-284-7100 • Fax 1-707-284-7430  
www.nieco.com • email: sales@nieco.com

**THE  
NIECO  
JF62**

**NEW  
CO  
LE**

# THE NIECO JF62

# JF62

## SPECIFICATIONS

The Jet Flow Broiler, JF62, is designed to broil multiple products at the same time with low energy use, while being simple to operate and maintain. It fits easily into space constricted areas.

### DIMENSIONS

	Inches	mm
Length	39.27	997
Height	30.11	765
Width	26.73	679

### ENERGY

Gas Models, Natural or LPG:

Average usage:

37,000 BTU/hour

Connection size: 3/4" NPT

Electric connection: 115V, 5A  
220V, 3A

Electric Models:

Average Usage: 13.2 Kw/h

Connected

208V 3Ø 20A

220V 3Ø 19A

380/230V 3Ø +N 12A CE

Ratings are based on Nieco factory testing.

Energy ratings are expected average consumption. Refer to factory as needed for details.

### AVERAGE WEIGHT

350lbs 158 Kg

Broiler weight will vary depending on options ordered

APPROVALS:



### AVAILABLE OPTIONS:

- Single or dual belt
- Incendalyst™ (catalyst)
- Stand
- Automated Feeder is standard, but we have push bar (stack) feeders and wire belt feeders, or a combination on the dual belt machines
- Product discharge options; plastic pans or product catch pan
- LP, Natural Gas or Electric
- Domestic or Export voltages

US and International Patents Pending.



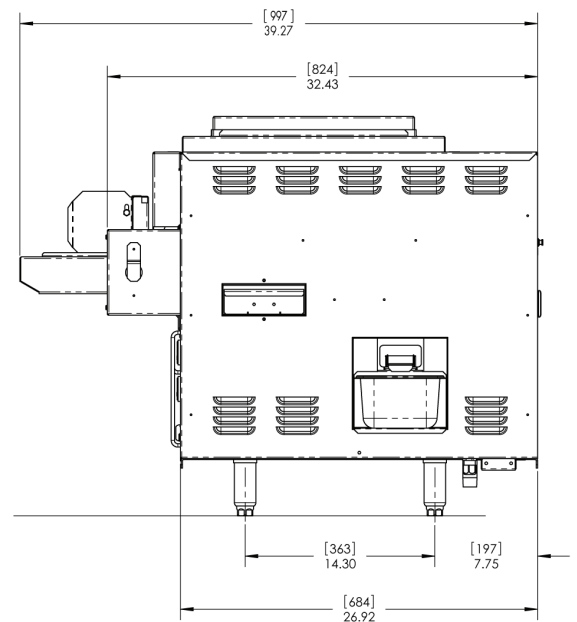
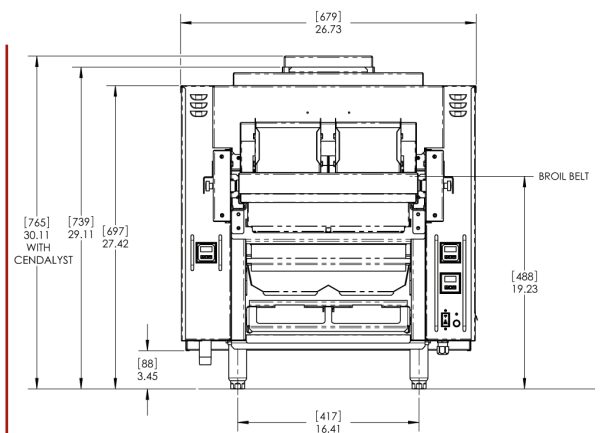
7950 Cameron Drive, Windsor, CA 95492, USA

1-707-284-7100 • Fax 1-707-284-7430

www.nieco.com • email: sales@nieco.com

AUTOMATIC BROILERS

©2013 Nieco Corporation All Rights Reserved



All Nieco equipment is backed by a world-wide sales and service network, with local parts inventories and 24-hour emergency service.